

## 6200 Series VHF Transceivers

### Overview



The 6200 series VHF transceivers from Becker Avionics are a family of high-quality aircraft radios. The 6200 series is optimized by their functionalities, state of the art technology, the compact dimensions and the low weight for many different aircraft categories in the general aviation community.

Market leader for their reliability, the products follow the highest manufacturing and testing standards in the Light&Sport Aviation segment.

The panel mount models are equipped with sunlight readable LCD displays. All variants provide high performance transmitters with either 6 or 10 W power output, continuous power supply from 10.25 to 33 VDC, 8.33 / 25 kHz channel spacing, sensitive receiver, VOX intercom and many other features.

The 6200 series radio family supports 4-place, VOX-controlled intercom, separated PTT keys, tandem capable connection with the panel-mount remote controller (RCU) for dual-panel operation.

The VHF transceivers also contain a channel memory function for automatically/manually frequency storage. The last 9 used frequencies are stored automatically.

- AR6201/AR6211: 2 ¼ format, easy installation in cockpit panels using only 4 screws.



- RT6201/RT6211: Remote controlled variant, controlled with:



- RCU6201/RCU6211 remote control unit (2 ¼ inch format). The RT6201/RT6211 can be installed with the dedicated mounting close to the antenna.

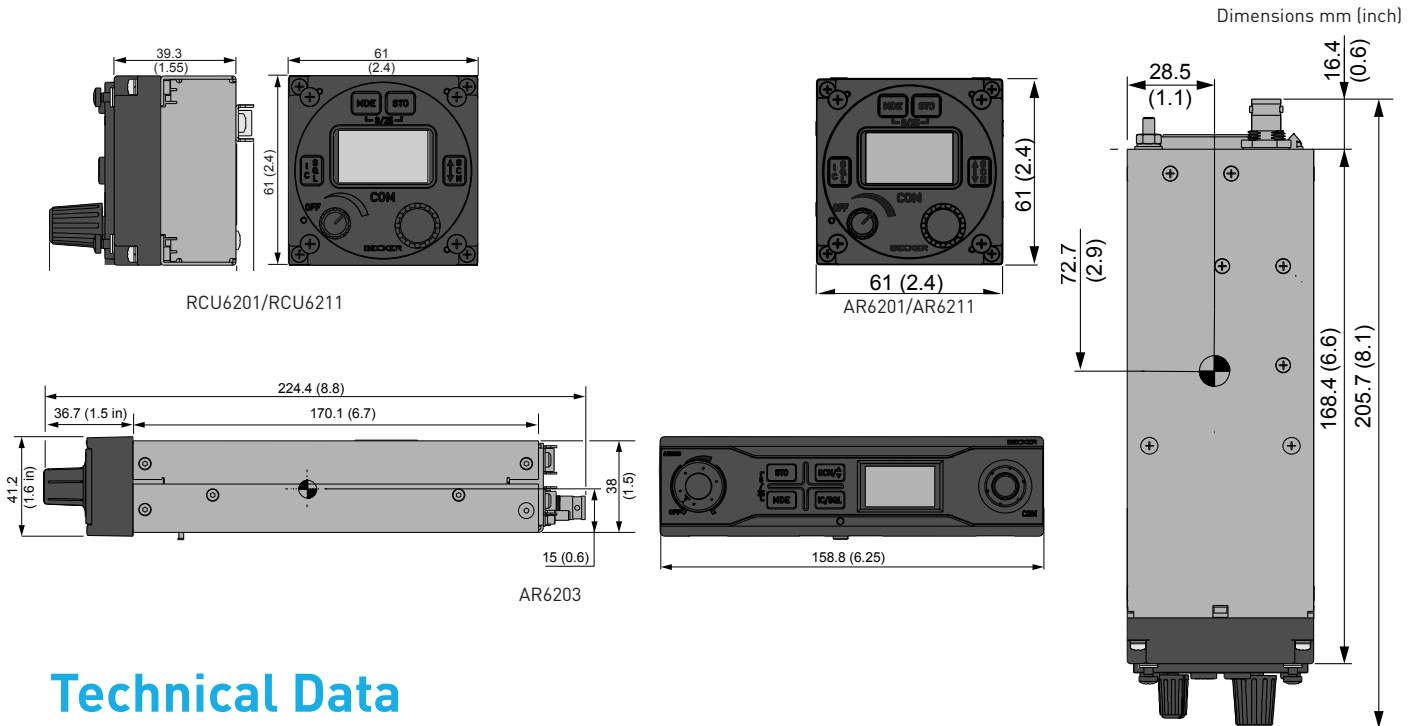
- AR6203/AR6213: 160 mm width for panel installation with the dedicated mounting.



## Features

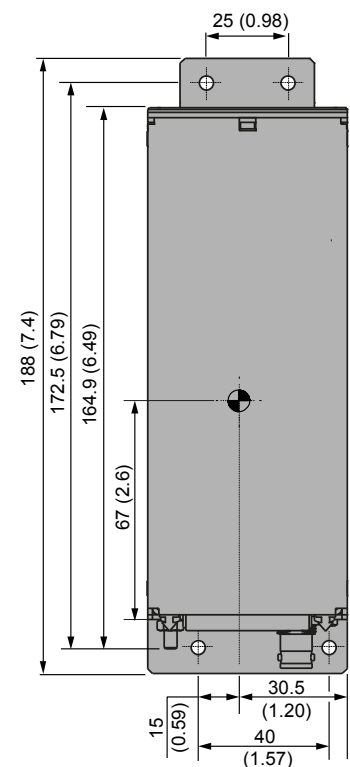
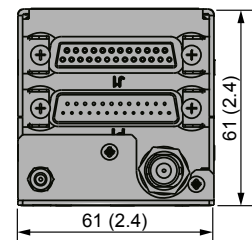
- Compact and lightweight
- Sunlight readable display
- Robust and maintenance-free design
- No forced cooling
- No ventilation slots
- Market-leading durability
- 8.33 kHz / 25 kHz channel spacing
- 6 W or 10 W power output
- RF signal indicator in the display
- Dual watch function ("SCAN Mode" for monitoring a second frequency).
- VOX-controlled intercom
- 4-place intercom
- 2 separate intercom circuits
- Separate PTT for pilot and co-pilot
- Audio auxiliary input
- Tandem operation
- EASA certified
- TSO & FCC approved





## Technical Data

6200 Series	Specification
Supply voltage	10.25...33 VDC
Emergency voltage	9.0...10.25 VDC
Output power	≥ 6 W @ 12 V into 50 Ω ≥ 10 W @ 28 V into 50 Ω
Current consumption	≤ 0.1 μA @ 12 VDC (power OFF) ≤ 140 mA @ 12 VDC (receive standby) < 2 A @ 12 VDC (transmit)
Frequency range	118.000...136.990 MHz
Channel spacing	8.33 / 25 kHz
Number of channels	760 (25 kHz mode) 2280 (8.33 kHz mode)
Squelch	Trigger level is adjustable
Storage temperature	-55...+85 °C
Operating temperature	Single block: -20...+55 °C, short time +70 °C Remote device: -40...+55 °C, short time +70 °C
Maximum altitude	35 000 ft
Audio output	Headphone: ≥ 300 mW @ 150 Ω ≥ 100 mW @ 600 Ω
Audio auxiliary input	1...8 V (adjustable) into 600 Ω
Speaker	≥ 4 W into 4 Ω
Weight	AR6201/AR6211: 675 g (1.488 lbs) AR6203/AR6213: 800 g (1.763 lbs) RT6201/RT6211: 600 g (1.32 lbs) RCU6201/RCU6211: 200 g (0.44 lbs)
Certifications	FCC approved ETSO-2C37e and 2C38e/TSO-C169a Variants 620X: EASA 210.1249 Variants 621X: EASA.210.10075461
Design assurance level (DAL)	Variants 620X: Level D Variants 621X: Level C



RT6201/RT6211 with mounting tray